

EFFISUS STOPPER – Penetration sealing solution for roofs and facades

The solution to the n°1 cause of leaks on roofs

Effisus Stopper seals the most common source of water leakages on roofs: roof penetrations of any size or configuration, such as mechanical equipment, electric conduits, pipes, ventilation ducts or solar panels, for example.

Solutions traditionally applied to seal such penetrations do not have the necessary resistance to the aggressive conditions to which they are subjected: repeated cycles of load, heat, cold, moisture, water ponding, and ultraviolet. **Effisus Stopper** is an innovative solution that seals such penetrations effectively and definitely.

Effisus Stopper is an extremely versatile solution, with precast molds that are bonded to the roof (or façade) substrate, creating a cavity, adaptable to any configuration, that is filled with innovative sealants with no need for mechanical fastening. It can be installed on the most common roofs: asphaltic membranes, PVC, TPO, EPDM or metal. Application on sloped, metal roofs or even facades is also possible.



Solution advantages

- Easy to install – installation in under 15 minutes.
- Resistant – waterproof, UV and ozone stable, resistant to ice and standing water.
- Universal – compatible with all membranes and materials (TPO, PVC, EPDM, Bitumen, Concrete).
- Flexible design – adaptable to any size or configuration.
- Economic – at a fraction of the cost of any traditional solution.

System components



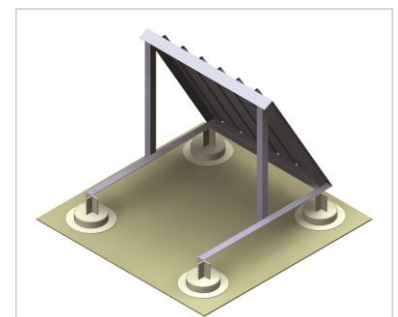
- **Molds Effisus Stopper EC/CE** – Prefabricated molds in polyester resin, with high durability and resistance to UV's. Different sizes and configurations available, allowing a perfect fit to any configuration.
- **Effisus Stopper 1-P Sealant** – Self-levelling sealant to fill the molds in horizontal applications. When applied, it ensures a 100% waterproof element, while being permanently flexible, resistant to UV's and to high temperatures. Elongation capacity of up to 300%.
- **Effisus Stopper M-1 Sealant** – Structural sealant for gluing the Effisus Stopper EC / EC molds to the structure. Without solvents, applicable to horizontal or vertical surfaces, resistant to UV's. Does not suffer volume changes during its lifetime.

Other filling sealant options for special applications:

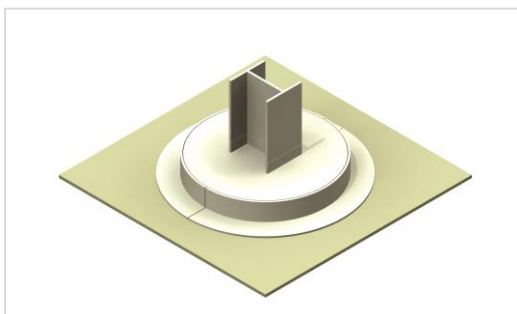
- **Effisus Stopper SAS Sealant** – For vertical or tilted applications. Does not drip and does not shrink.
- **Effisus Stopper SAS HT Sealant** – For applications (vertical or horizontal) where the surface temperature can exceed 100°C. Resistant to temperatures of up to +204 °C

Typical applications

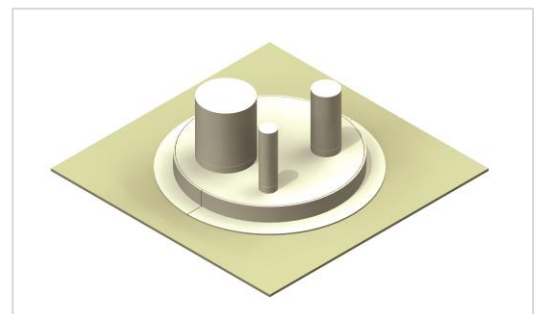
- HVAC penetrations
- Solar panels
- Equipment support structures
- Guards
- Electric cables
- Antennas
- Sloped roof
- Vertical walls
- Ducts with temperatures up to 204°C



Solar panel

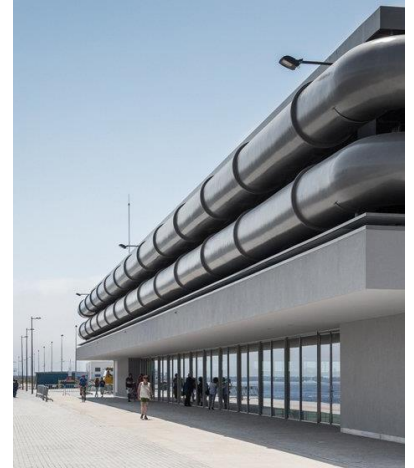


H profile



Multiple pipes

Project References



1 – Cultural Center - Leisure Complex

<p>Project requirement</p>	<ul style="list-style-type: none"> To seal roof penetrations of large dimension, H-Columns made of steel - vertical and inclined, on a roof with a single-ply TPO roofing membrane previously applied
<p>Roof substrate</p>	<ul style="list-style-type: none"> TPO Membrane
<p>Traditional solutions – Why not?</p>	<ul style="list-style-type: none"> Irregular H shape of the columns Several columns converging at the same spot No possibility of applying a refurbishment into the H columns No possibility of mechanically fix any material to the steel columns Large movements expected Possibility of pounding water
<p>Solution used</p>	<ul style="list-style-type: none"> Effisus Stopper <p>Details:</p> <ul style="list-style-type: none"> Effisus Stopper molds Effisus Stopper M-1 Sealant to adhere the mold to the roof Effisus Stopper 1-P Sealant to fill the mold
<p>Advantages on the use of the Effisus Stopper</p>	<ul style="list-style-type: none"> Easy to adapt to solution to any dimensions and configuration of the columns No need for mechanical fixing Permanently flexible solution that absorbs movement without risk of cracking Liquid applied filling sealant that seals every empty space No need for specialized labour or tools



2 – Shopping Center Xyami – Commercial Building

<p>Project requirement</p>	<ul style="list-style-type: none"> To seal roof penetrations due to the passage of round ducts with large dimensions, on a roof with a TPO roofing membrane
<p>Roof substrate</p>	<ul style="list-style-type: none"> TPO Membrane
<ul style="list-style-type: none"> Traditional solutions – Why not? 	<ul style="list-style-type: none"> Large dimension of the round ducts Several ducts converging at the same spot No space to use hot-welding Large movements expected Hot temperatures
<p>Solution used</p>	<ul style="list-style-type: none"> Effisus Stopper <p>Details:</p> <ul style="list-style-type: none"> Effisus Stopper molds Effisus Stopper M-1 Sealant to adhere the mold to the roof Effisus Stopper 1-P Sealant to fill the mold / Effisus Stopper SAS HT for ducts with high temperatures
<p>Advantages on the use of the Effisus Stopper</p>	<ul style="list-style-type: none"> Easy to adapt to solution to any dimensions and configuration of the columns Possibility of application on limited spaces No need for mechanical fixing Permanently flexible solution that absorbs movement without risk of cracking Liquid applied filling sealant that seals every empty space No need for specialized labour or tools



3 – Residential Building

<p>Project requirement</p>	<ul style="list-style-type: none"> To seal roof penetrations made after the waterproofing bitumen membrane has been applied
<p>Roof substrate</p>	<ul style="list-style-type: none"> Bitumen membrane
<p>Traditional solutions – Why not?</p>	<ul style="list-style-type: none"> Square and small dimension of the penetrations Requirements for a solution with long-term warranty Specialized labor not available on site No desire to work with fire (torch)
<p>Solution used</p>	<ul style="list-style-type: none"> Effisus Stopper <p>Details:</p> <ul style="list-style-type: none"> Effisus Stopper molds Effisus Stopper M-1 Sealant to adhere the mold to the roof Effisus Stopper 1-P Sealant to fill the mold
<p>Advantages on the use of the Effisus Stopper</p>	<ul style="list-style-type: none"> Perfect adherence to the bitumen membrane Long term warranty No need for mechanical fixing No need for specialized labour or tools Permanently flexible solution that absorbs movement without risk of cracking Liquid applied filling sealant that seals every empty space



4 - BOSCH R&D and production facilities – Industrial Building

Project requirement	<ul style="list-style-type: none"> To seal roof penetrations due to the passage of round ducts on a roof with an old PVC roofing membrane applied
Roof substrate	<ul style="list-style-type: none"> Old PVC Membrane
Traditional solutions – Why not?	<ul style="list-style-type: none"> Old PVC roofing membrane – No possibility of hot-welding Limited space to work Specialized labor not available on site No possibility of mechanical fixing
Solution used	<ul style="list-style-type: none"> Effisus Stopper <ul style="list-style-type: none"> Details: <ul style="list-style-type: none"> Effisus Stopper molds Effisus Stopper M-1 Sealant to adhere the mold to the roof Effisus Stopper 1-P Sealant to fill the mold
Advantages on the use of the Effisus Stopper	<ul style="list-style-type: none"> Perfect adherence to the old PVC Membrane Possibility of application on limited spaces No need for mechanical fixing Permanently flexible solution that absorbs movement without risk of cracking Liquid applied filling sealant that seals every empty space No need for specialized labour or tools