



EFFISUS THE RIGHT CHOICE

EFFISUS DESIGNS THE WHOLE BUILDING, FROM ROOF TO FACADES, FOUNDATIONS TO INTERIORS.

The **Effisus Consulting service** tailors Effisus integrated systems to each specific building project, provides on-site skills training and follow-up, and assists with maintenance after completion.

DEVELOPER BUILDING EFFICIENT SUSTAINABILITY
Effisus integrated systems save you time, construction costs, and labour. We introduced our Effisus consulting service to better acquaint you with the kind of competitive advantages we can bring to your project plans. Contact us.

CONTRACTOR BUILDING EFFICIENT SUSTAINABILITY
Because we aim to ensure successful application to prevent water infiltration, we train and certify all our Effisus contractors and monitor their performance on site.
Effisus – the right choice.

SETTING OUR SPECIFICATIONS DESIGNING EFFICIENT SUSTAINABILITY
We introduced the Effisus technical assistance service so you can make the right decision from the preliminary sketches to the execution of your project plan. We work with you, tailoring our integrated systems to fit your project's requirements.

BUILDING INSPECTION CERTIFYING EFFICIENT SUSTAINABILITY
To ensure that specified solutions are correctly applied and our integrated systems perform to the highest standards, our technical staff monitors its work on site, providing you a final report.

RESEARCH & DEVELOPMENT LEADING EFFICIENT SUSTAINABILITY
With Effisus, we research the best solutions to make construction more efficient and sustainable, preventing the emergence of pathologies and contributing towards healthier living conditions for occupants. We invite you to travel that road with us.

UNIVERSITIES BE EFFICIENT · BE SUSTAINABLE · BE EFFISUS
To foster excellence in construction expertise, we provide skills training to your technical personnel, availing you of our know-how. With Effisus, we'll be working together to build a more efficient and sustainable future.



Effisus Stopper - Sealing a penetration to attach solar panel mounts

EFFISUS STOPPER SYSTEM COMPONENTS

Effisus Stopper 1-P Sealant
Innovative sealant for applying to flat surfaces.

Effisus Stopper M-1 Sealant
Innovative structural sealant for applying to both flat and vertical surfaces.

Effisus Stopper EC Curb
Exterior moulds fitted with a casing system available in a range of sizes .

Effisus Stopper SAS Sealant
Sealant of excellent elasticity, specifically for applying to vertical surfaces.



EFFISUS HOW DOES IT INNOVATE?

EFFISUS IS AN INNOVATIVE VISION FOR THE CIVIL CONSTRUCTION INDUSTRY THAT STRIVES TO ALLY EFFICIENCY WITH SUSTAINABILITY.

Effisus' vision of efficiency and sustainability differentiates itself from the "green" philosophy which values environmental preservation to the detriment of balancing this with every other facet of sustainability. Effisus subscribes to a Blue vision – a vision that addresses the environmental, technical, social, economic, and corporate dimensions consistently.

With Effisus, Up-Way continues to lead in efficiency innovation vis-à-vis current stringent construction requirements, striking a balance with sustainability standards, which these days are a must.

The Effisus vision allies **Efficiency and Sustainability**, by promoting use of superior quality **Integrated Construction Systems** in tune with the need to meet the challenges we currently face, as opposed to merely selling construction materials in isolation.

Effisus **Integrated Systems** are subject to stringent product selection and integrate solutions of excellence in:

- sealing,
- eliminating pathologies associated to damp,
- providing thermal and acoustic comfort,
- achieving energy efficiency.

EFFISUS IS YET ANOTHER STEP ON THE ROAD TO ENSURING QUALITY AND SUPERIOR DURABILITY IN A BUILDING, IMPROVING ITS ENERGY EFFICIENCY AND ENVIRONMENTAL PERFORMANCE, AND ENHANCING THE COMFORT AND HEALTH OF OCCUPANTS.

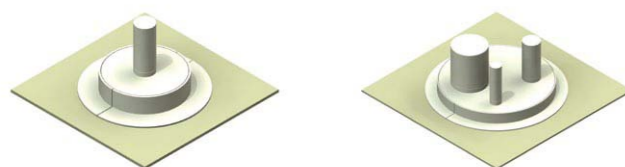


www.effisus.com | www.upwaysystems.com



EFFISUS STOPPER SEALING ROOF PENETRATIONS

Effisus Stopper – Pipe Sealing

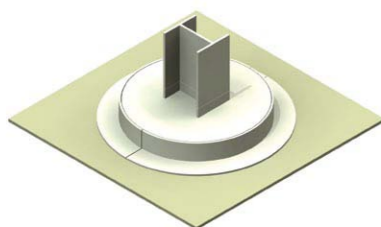


Single Pipe

Set of Pipes

Effisus Stopper is a prefabricated modular system available in a range of sizes and shapes (square and circular stoppers) which requires no mechanical attachment. Sealing the penetrations with Effisus Stopper M-1 Sealant and Effisus Stopper P-1 Sealant means the stoppers can be used to seal any type of single pipe or set of grouped pipes.

Effisus Stopper – Profile Sealing

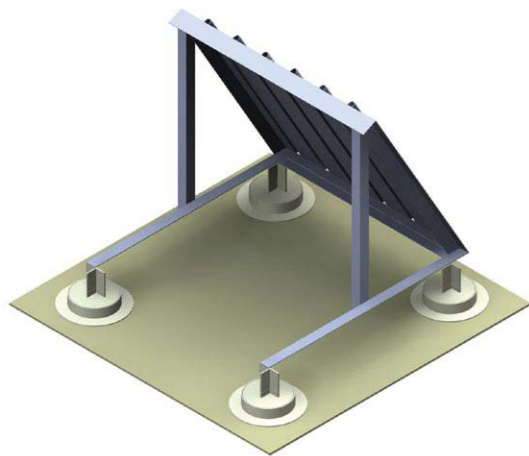


The Effisus Stopper system adjusts to seal your metal profiles. Thanks to its sealants' excellent adherence characteristics, penetrations for profiles can be fully sealed. The Effisus Stopper is ideal to seal any type of roof penetration.

The system is most frequently applied to seal:

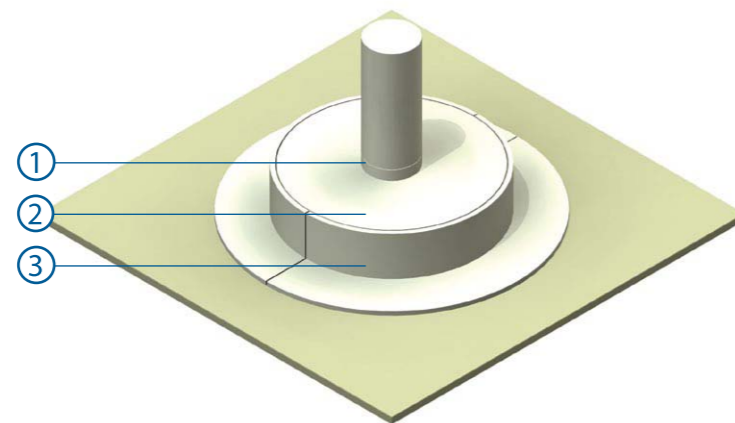
- Penetrations for attaching solar panel mounts,
- Penetrations for attaching aerial mounts,
- Penetrations for attaching guardrails,
- Penetrations for carrying piping or electrical cabling.

EFFISUS STOPPER SEALING SOLAR PANEL MOUNTS



To meet building industry needs and requirements, Up-Way introduces its Effisus Stopper as a solution for sealing roof penetrations for installing solar panel mounts, contributing towards the efficiency and sustainability of your roofs.

TURNING YOUR BUILDING'S WEAKEST POINTS INTO THE STRONGEST FEATURES!



1 - STRUCTURAL SEALANT

EFFISUS STOPPER M-1 SEALANT

Effisus Stopper M-1 Sealant is a structural sealant used to ensure Effisus Stopper EC Curb moulds adhere tightly to the surface of a roof and for spot sealing applications prior to applying a filler sealant. This sealant is solvent-free and is suitable for applying to both flat and vertical surfaces. It does not discolour with exposure to UV radiation or shrink in volume over the course of its useful life. It can be applied under high-moisture, low-temperature (0°C) conditions. It is compatible with the various types of roof lining.

2 - FILLER SEALANT

EFFISUS STOPPER 1-P SEALANT (roofing)

Effisus Stopper 1-P Sealant is a filler sealant employed to fill up Effisus Stopper EC Curb moulds to produce a 5-centimetre thick permanent rubber stopper. The sealant is suitable for use on horizontal surfaces. It is solvent-free, flexible (allows for shifting by various materials), deterioration-resistant (high durability), and may be applied in high-humidity and low-temperature (0°C) conditions. It can be painted after 24 hours.

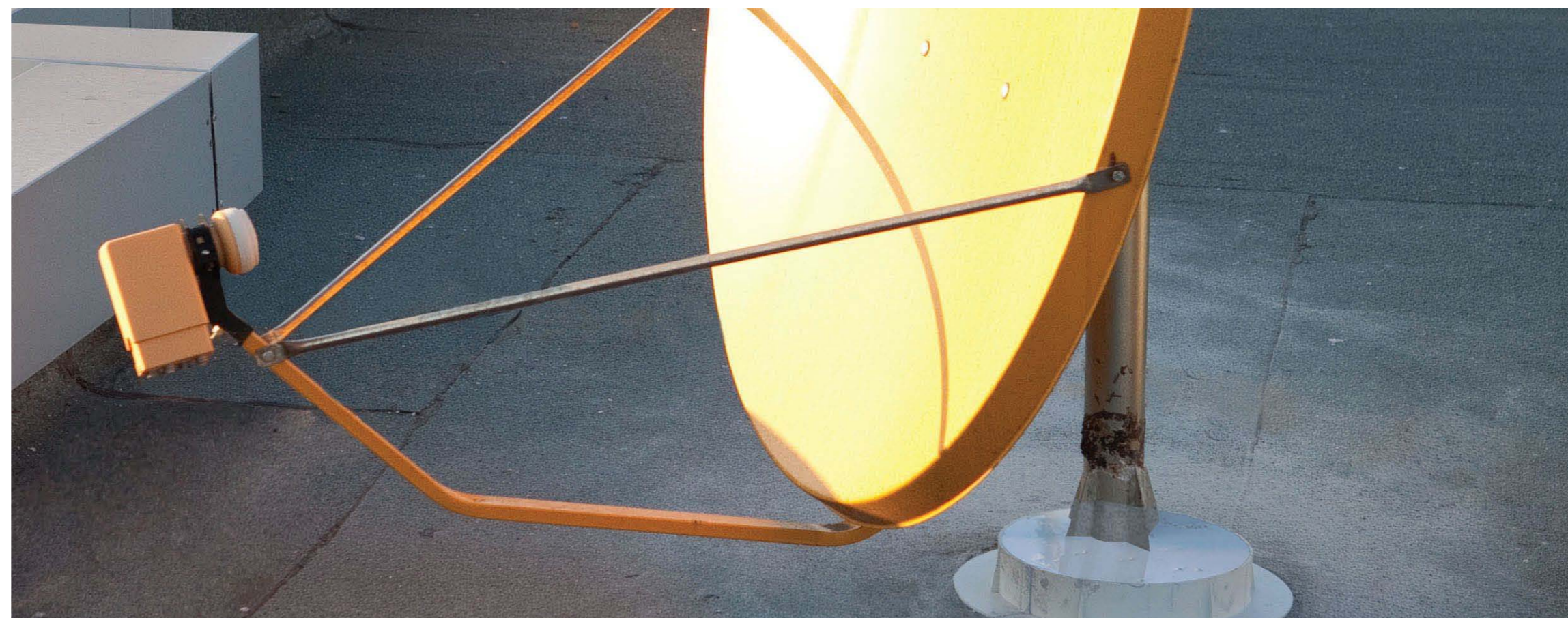
EFFISUS STOPPER SAS SEALANT (vertical surfaces)

Effisus Stopper SAS Sealant is a non-drip sealant, appropriate for use on vertical surfaces. It is solvent-free, flexible (allows for shifting by various materials), deterioration-resistant (high durability), and can be applied in high-humidity and low-temperature (0°C) conditions. It can be painted after 24 hours.

3 - CASING SYSTEM

EFFISUS STOPPER EC CURB

Effisus Stopper EC Curb is a quick and effective, highly versatile casing system (available in a range of sizes and shapes) which requires no mechanical attachment. It is resistant to ice formation, corrosion, UV radiation, and constant running water. This system is a light, ideal solution for stopping small-diameter penetrations, as well as for applying to roofing fitted with synthetic sealing membranes.



Effisus Stopper - Sealing a roof penetration to secure an aerial mount



ELIMINATE THE NO. 1 CAUSE OF ROOF LEAKS BY SEALING ROOF PENETRATIONS EFFECTIVELY!

The Effisus Stopper system is an innovative, efficient, and sustainable system to seal penetrations drilled through a building's roof, which guarantees effective sealing of various types of penetration. An ideal solution for eliminating the main cause of water infiltration.

The Effisus Stopper system replaces elaborate conventional sealing methods that are incapable of guaranteeing uniform, lasting sealing efficiency with a technologically advanced, modular solution that permanently caps a roof penetration with a state-of-the-art sealant.

It is a 100% leak-tight solution for sealing roof penetrations of all sizes (namely for carrying piping, electrical cabling, metal profiles, etc.).

It is a versatile solution based on pre-fabricated components and innovative sealants that can be easily installed in under 15 minutes – requiring no mechanical attachment whatsoever.

The system has been designed for applying to virtually any type of roof lining – namely asphalt membranes, PVC, EPDM, or TPO roofing, or even, metal surfaces, for instance.

EFFICIENCY

- Quick, permanent sealing
- Easy to install (under 15 minutes) and maintenance-free
- Versatile solution – no size limitations, excellent adherence, and compatible with all types of materials employed in roof construction, namely EDPM, PVC, Asphalt, or TPO roofing
- Requires no mechanical attachment
- Resistance to great temperature range – from -40°C to +100°C
- Flexible solution over the entire course of its useful life – absorbs structural changes
- Resistant to UV radiation, ice formation, and corrosion, and endowed with great chemical compatibility
- No waste of materials

SUSTAINABILITY

- All components are completely safe for building occupants
- No solvents, no toxic materials, no cancer causing agents
- Completely VOC-free
- No chemicals that contribute towards the greenhouse effect
- No fire or explosion hazard
- High durability
- Contributes towards overall building longevity
- Low energy consumption during manufacturing
- Recyclable material

THE EFFISUS STOPPER SYSTEM COMPRISES SEVERAL ELEMENTS, NAMELY THE FOLLOWING:

- Effisus Stopper M-1 Sealant;
- Effisus Stopper 1-P Sealant or Effisus Stopper SAS Sealant;
- Effisus Stopper EC Curb.



EFFISUS STOPPER TAILOR-MADE TO YOUR PROJECT

UP-WAY SYSTEMS INNOVATION, QUALITY, AND TECHNICAL EXPERTISE

In construction, high risk of water infiltration has long made penetrating a roof a solution of last resort. Thanks to an integrated system of ultra-efficient sealants and the way its components are mechanically assembled, Effisus Stopper has the solution to the cause of this type of water infiltration.

With Effisus Stopper, when you need to bore into your roof you'll be provided with expert assistance on how to apply the system by Up-Way Systems personnel, plus you'll be covered by the Effisus full sealing guarantee.



Applying Effisus Stopper

1. Clean all surfaces thoroughly.
2. Apply the Effisus Stopper M-1 Sealant first to seal around the penetration and to affix the mould to the surface of the roof.
3. After the initial sealing, and having affixed the mould, apply the Effisus Stopper 1-P filler sealant to completely fill up the interior of the mould.

